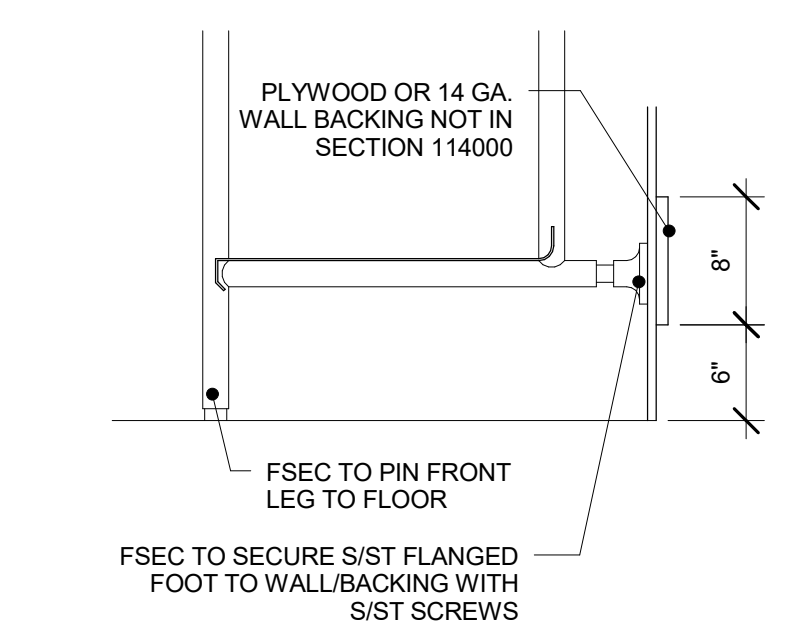
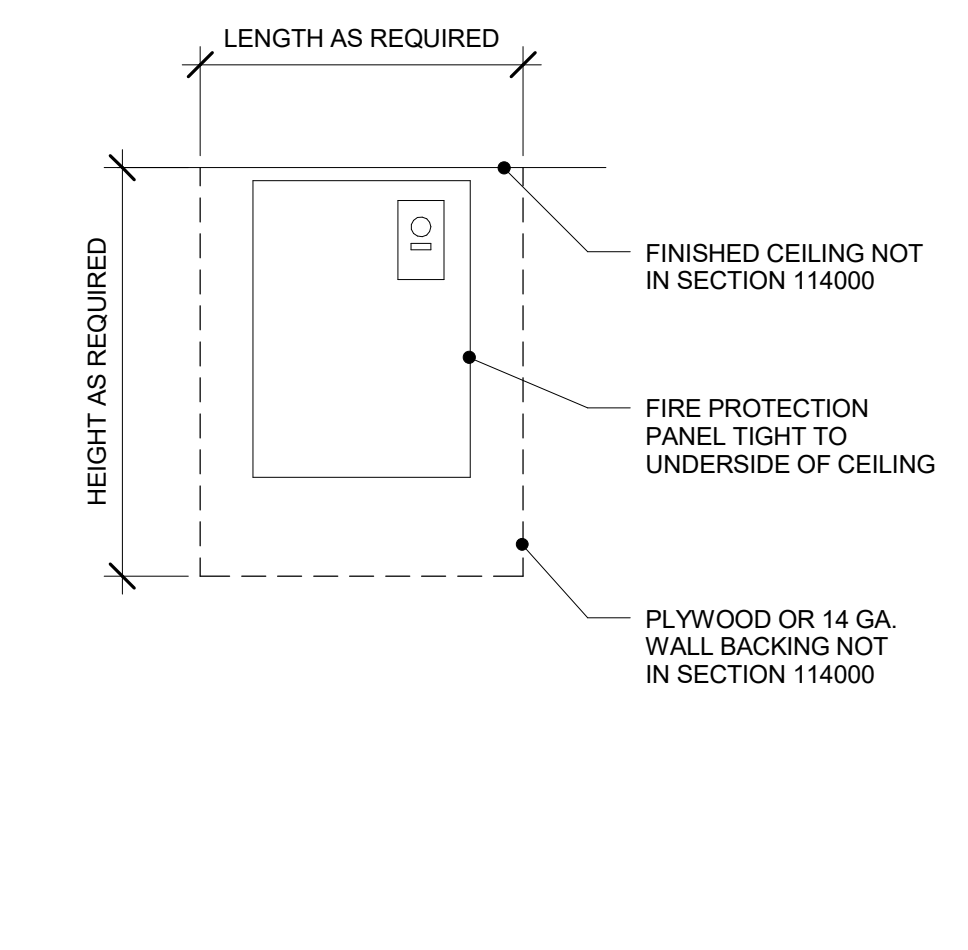


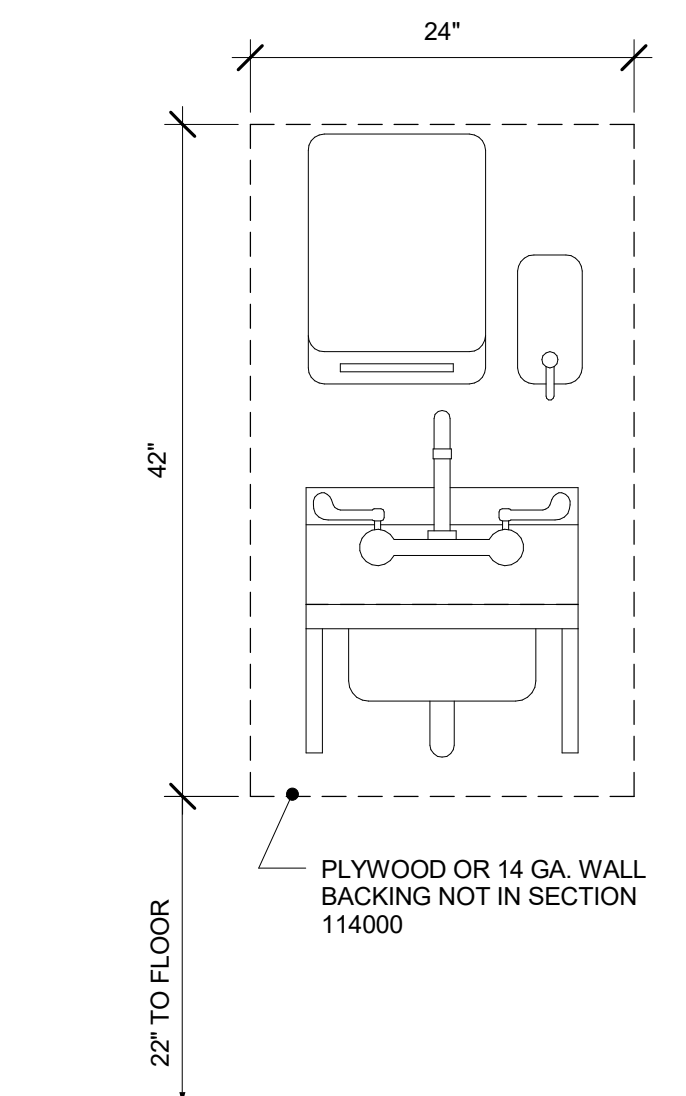
2 BACKING - BACKSPLASH
1" = 1'-0"



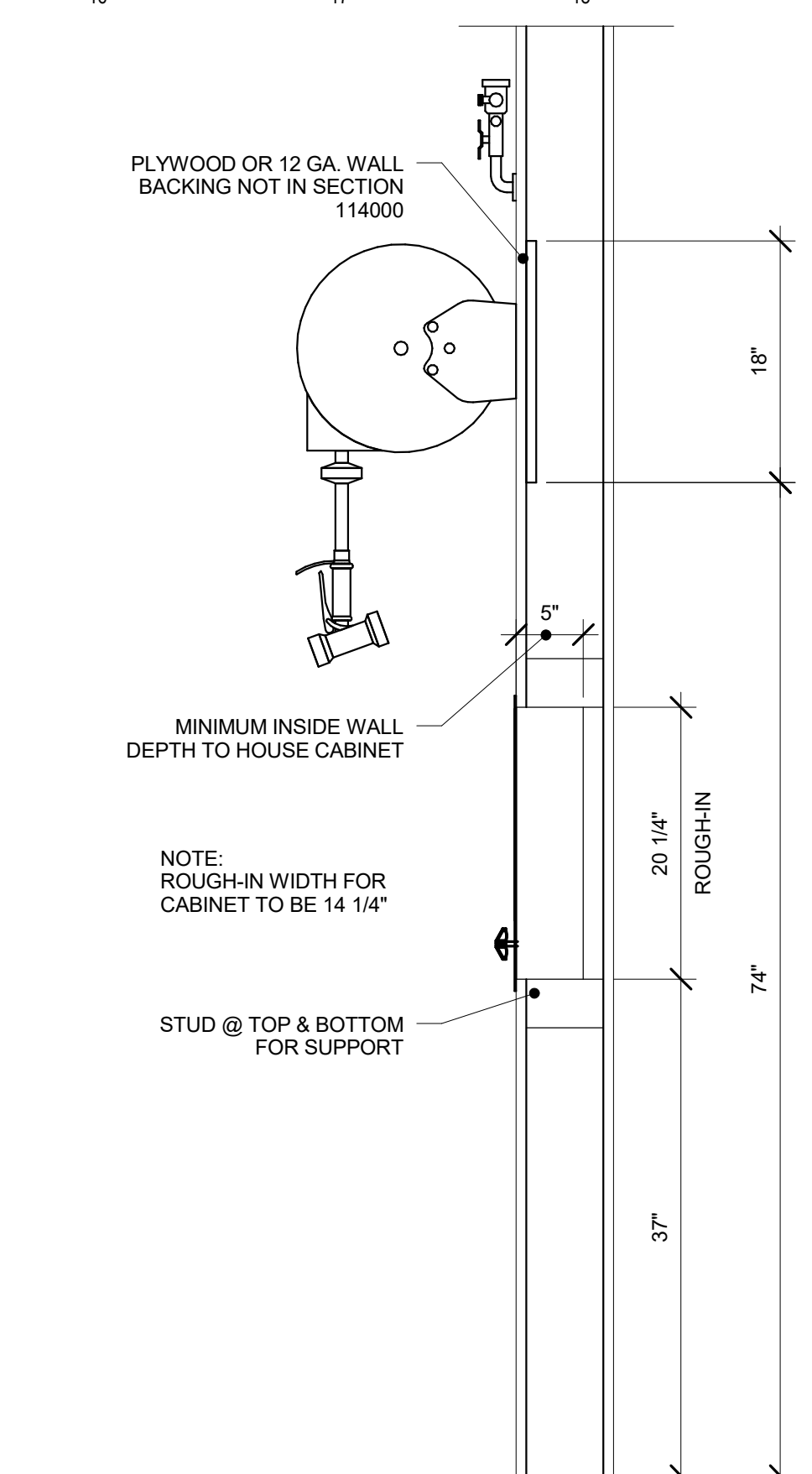
3 BACKING - WALL MOUNTED CROSSBRACE
1" = 1'-0"



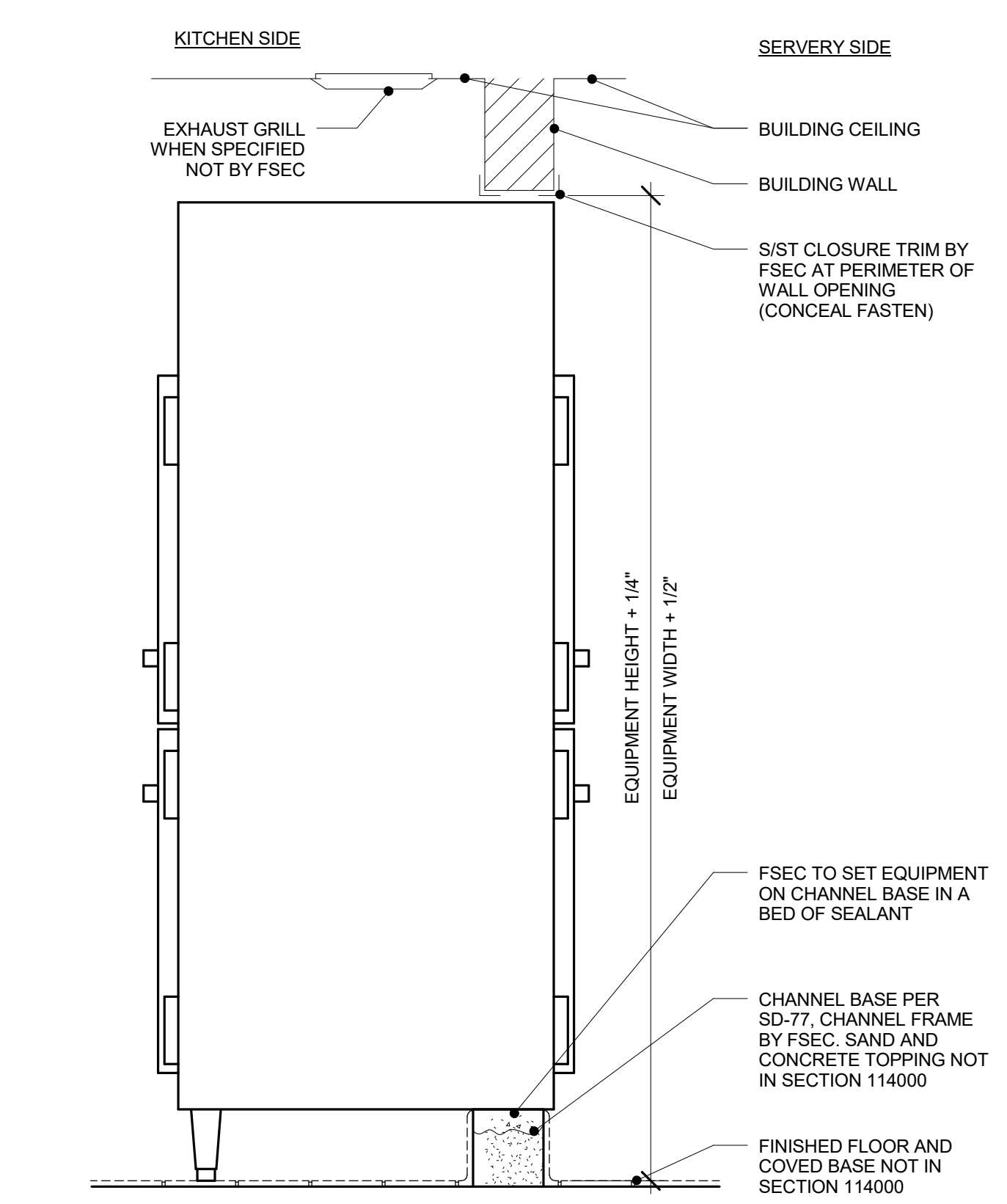
4 BACKING - FIRE PROTECTION PANEL
1" = 1'-0"



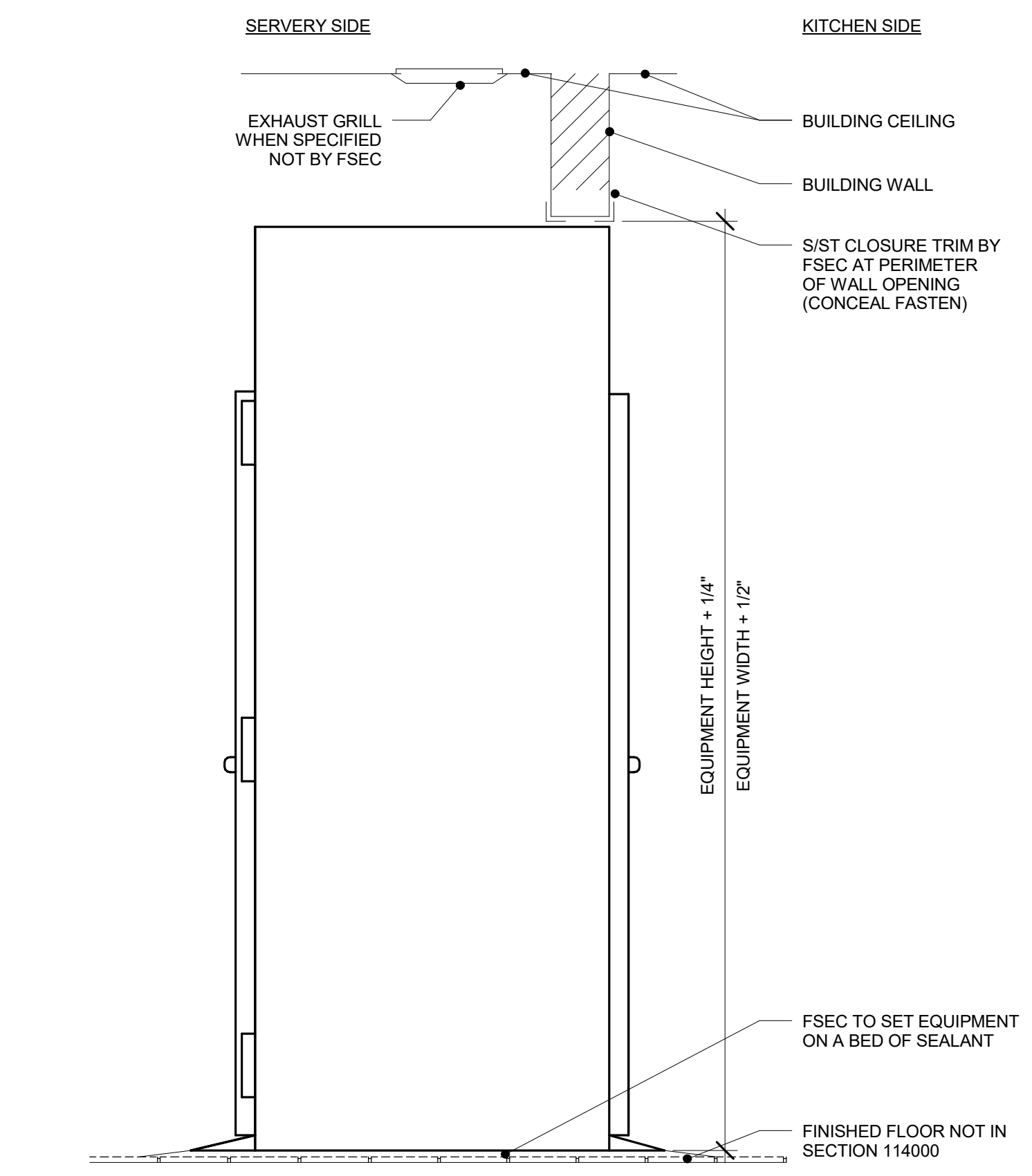
5 BACKING - HAND SINK
1" = 1'-0"



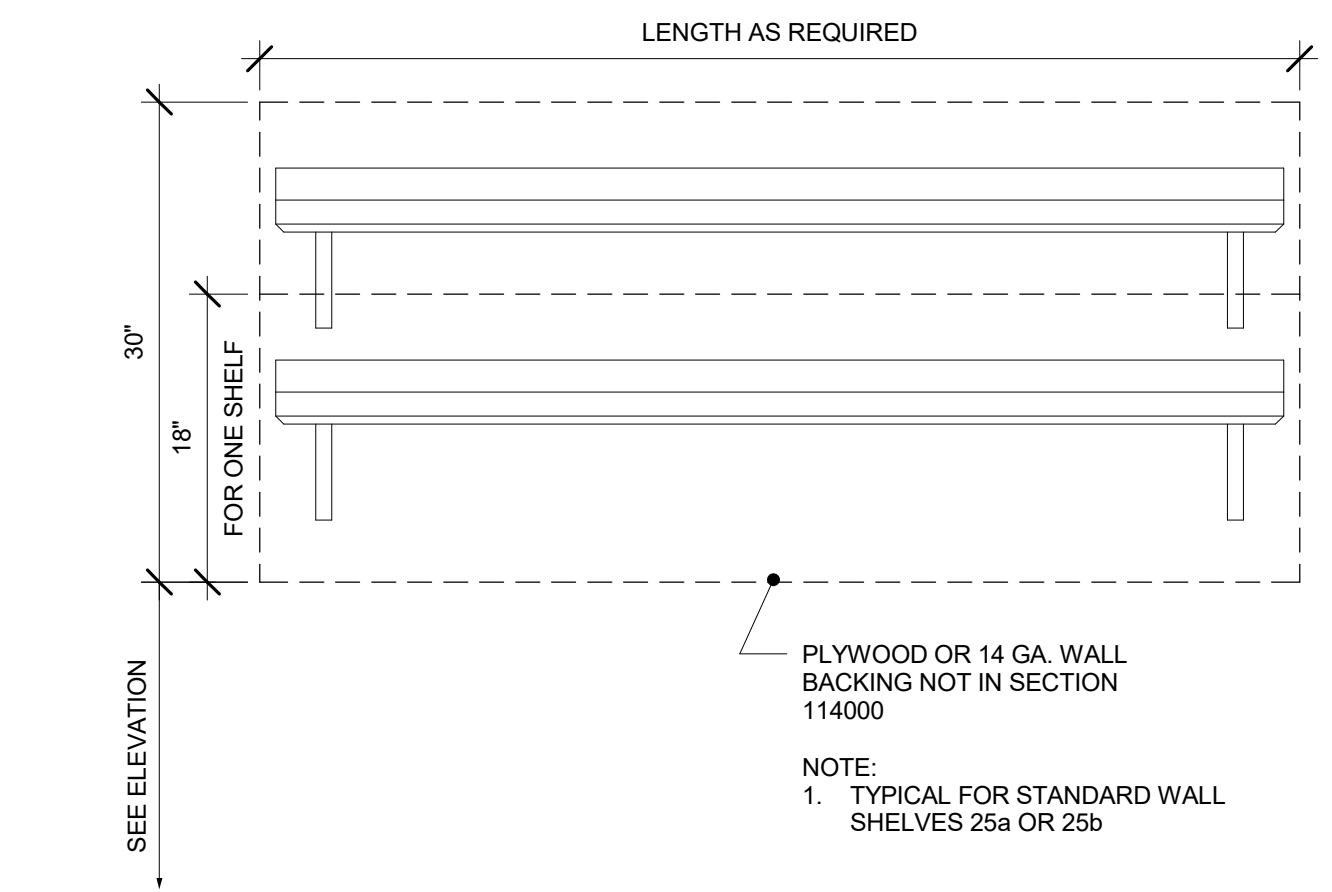
6 RECESSED HOSE REEL CABINET
1" = 1'-0"



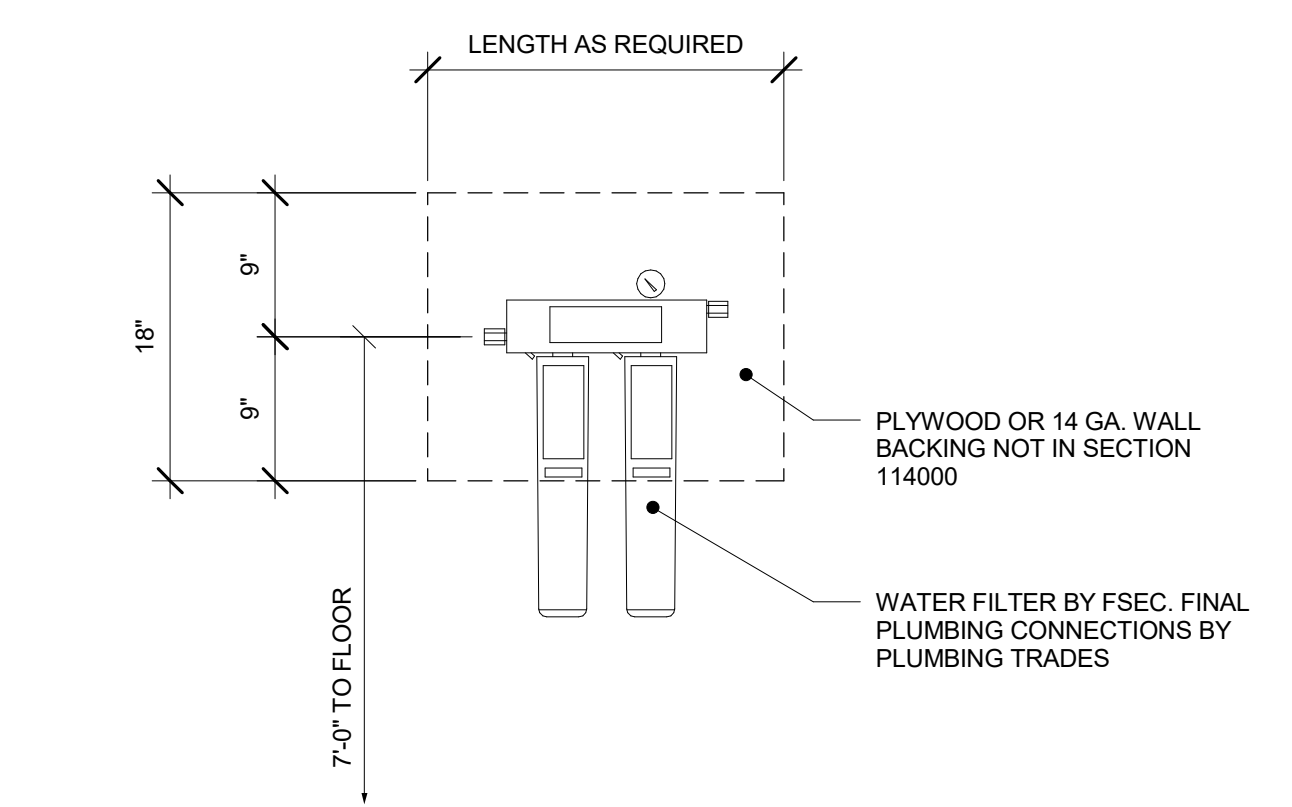
7 THRU WALL - PASS-THRU REF./FRZ./HEATED CABINET
1" = 1'-0"



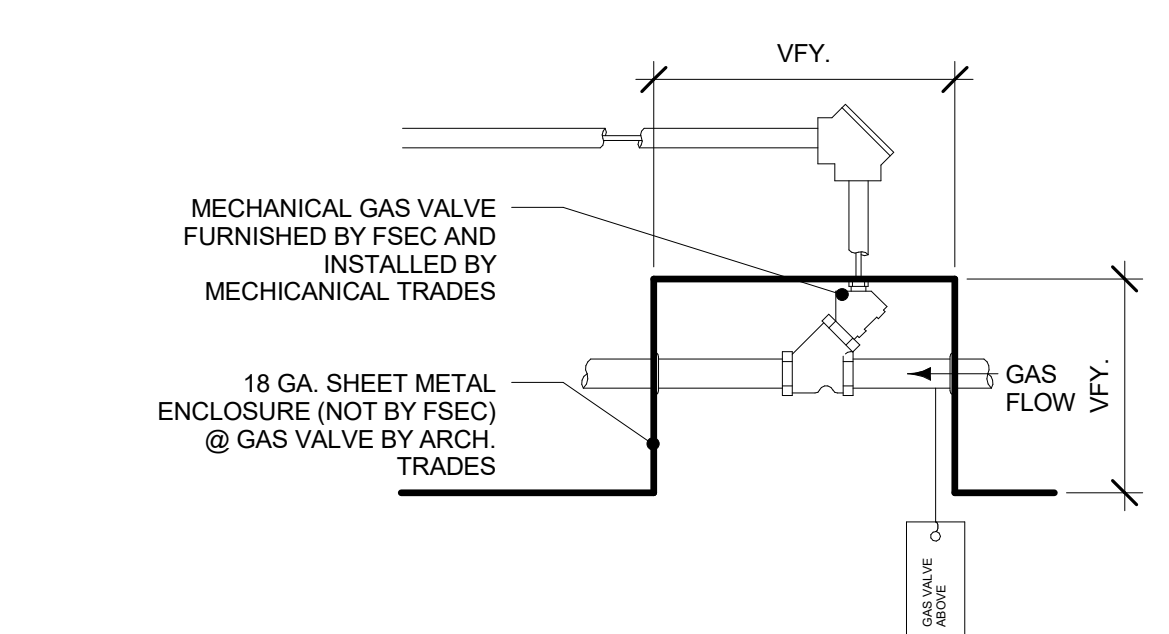
8 THRU WALL - ROLL-THRU REFRIGERATOR
1" = 1'-0"



9 BACKING - WALL SHELF
1" = 1'-0"



10 BACKING - ICE MAKER WATER FILTER
1" = 1'-0"

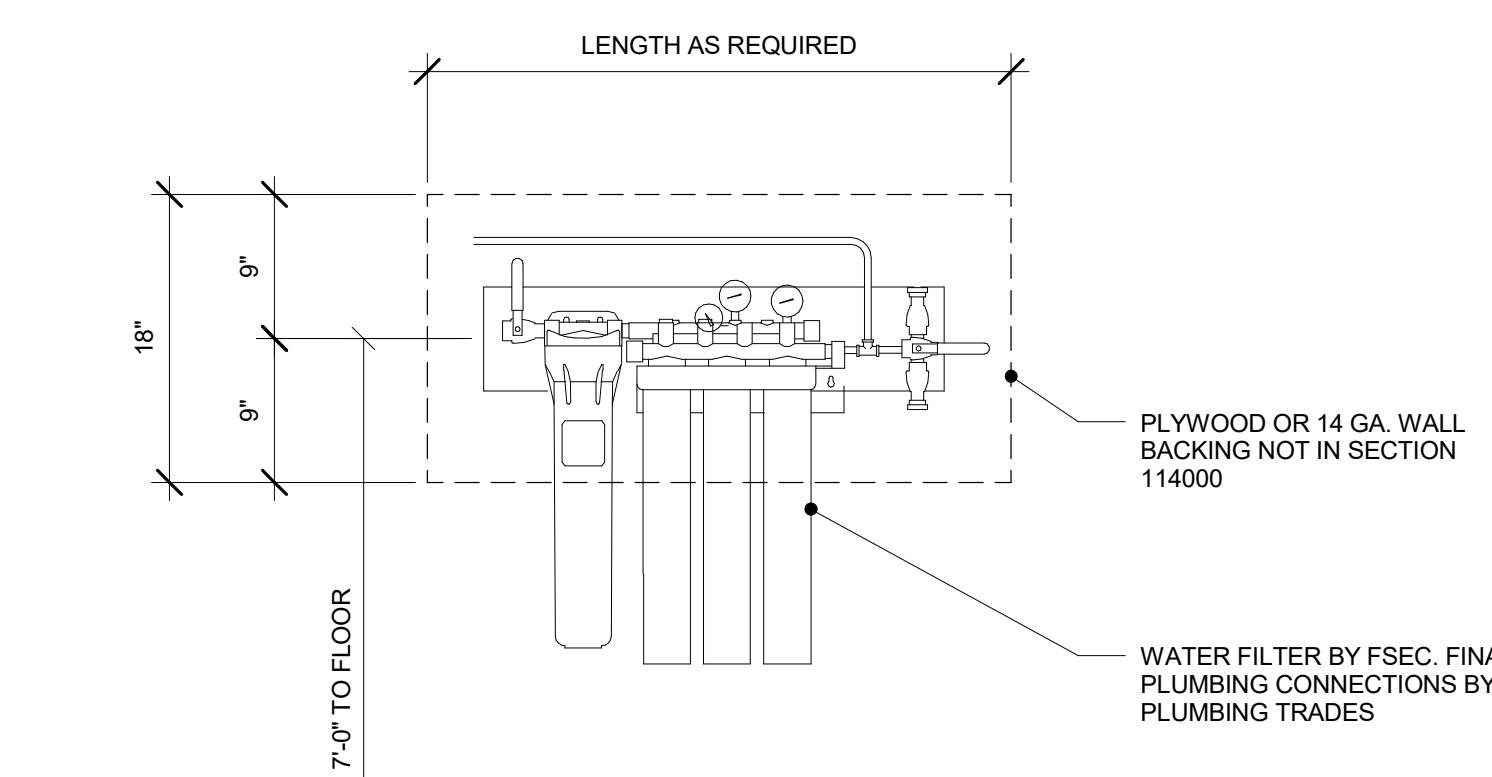


11 GAS VALVE CEILING RECESS
1" = 1'-0"

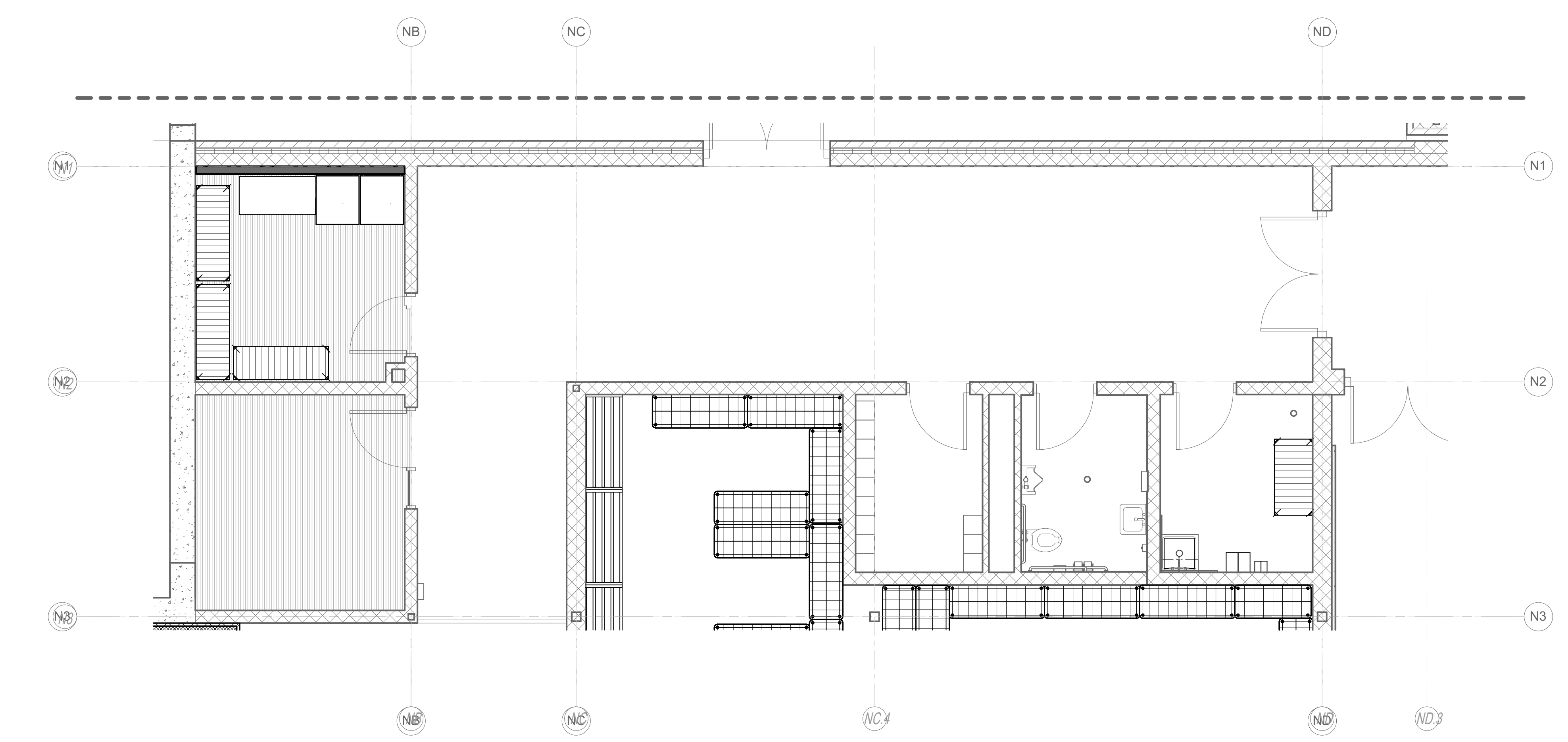
SPECIAL CONDITIONS LEGEND

- WALL BACKING
- CHANNEL BASE
- DEPRESSED FLOOR (SEE DETAIL)
- 4'-0" HIGH CORNER GUARD (NOT BY FSEC)
- KICKPLATE (NOT BY FSEC)
- FOODSERVICE EQUIPMENT CONTRACTOR

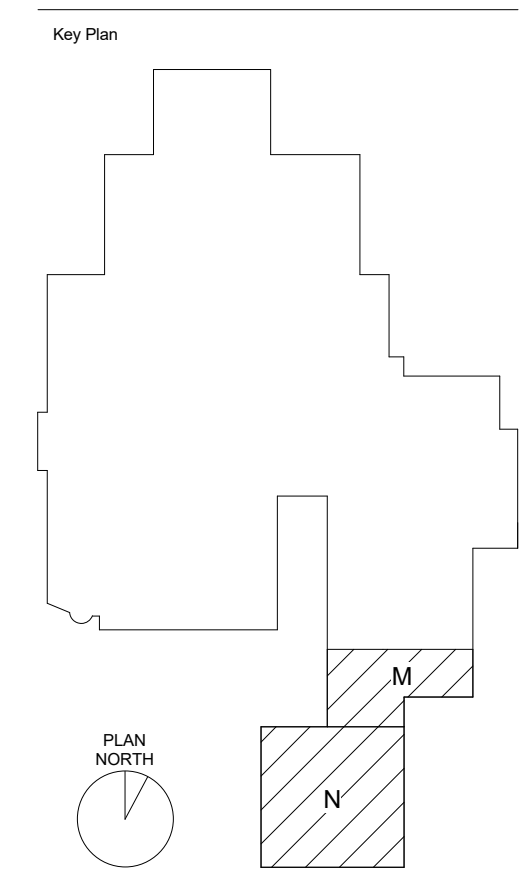
NOTE:
1. DIMENSIONS SHOWN ARE APPROXIMATE. FSEC TO COORDINATE AND VERIFY ALL DIMENSIONS IN THE FIELD WITH APPROPRIATE TRADES PRIOR TO CONSTRUCTION.
2. THE WALK-IN REFRIGERATOR/FREEZER CONDENSING UNITS ARE LOCATED APPROXIMATELY WHERE SHOWN ON P. 44. VERIFY THE EXACT LOCATION WITH THE ARCHITECT/ENGINEER. ROOF CURBS/CONCRETE PADS FOR CONDENSING UNITS & SLEEVES, SEALED PENETRATIONS IN ROOFS, FLOORS, CEILINGS & WALLS FOR CONDENSING UNIT REFRIGERATION & UTILITY LINES ARE NOT BY THE FSEC.
3. THE FSEC WILL FURNISH AND INSTALL THE REFRIGERATION LINES BETWEEN THE CONDENSING UNITS AND SPECIFIED REFRIGERATED EQUIPMENT. IT IS THE FSEC'S RESPONSIBILITY TO COORDINATE THE EXACT ROUTE TO EACH ITEM WITH THE APPROPRIATE TRADES.



12 BACKING - CENTRAL WATER FILTER
1" = 1'-0"



1 FOODSERVICE SPECIAL CONDITIONS PLAN - RECEIVING
1/4" = 1'-0"



Sheet Issue Date
100% CD SET 04/07/2017

Previous Issue Dates
100% DD SET 11/11/2016
95% CD SET 03/20/2017

Revision Date